

Review paper

A review on the classification of operating modes in microgrid systems

Somaye Yaghoubi^{1,3}, Majid Dehghani^{2,3*}, Majid Moazzami^{2,3}, Sayed Mohammadali Zanjani^{2,3},
Mohammadreza Moradian^{2,3}

¹Department of Mechanical Engineering, Najafabad Branch, Islamic Azad University, Najafabad, Iran

¹Department of Electrical Engineering, Najafabad Branch, Islamic Azad University, Najafabad, Iran

³Smart Microgrid Research Center, Najafabad Branch, Islamic Azad University, Najafabad, Iran

(Manuscript Received --- 14 July 2024; Revised --- 09 Nov. 2024; Accepted --- 25 Nov. 2024)

Abstract

A microgrid is an independent electrical system, and it integrates different energy sources to produce power independently or in coordination with the main grid. In this paper, a brief review on the classification of microgrids and how they work in two operating modes is presented. Based on the distribution system, microgrids are classified into alternating current, direct current and hybrid. Microgrids can work in two operating modes, connected to the network and islanded, each of which has unique goals and specific advantages. System stability, integrated power transfer and management of the balance between production and demand are the main challenges in the transition between two modes of microgrid operation. Based on the operation of the microgrid, different control strategies and protection systems are needed. Some control strategies are stated in each mode and a comparison between the two modes is presented. The microgrid system depends on many variables, and therefore their power management and stability are of particular importance. This study will be useful for researchers who work in the field of microgrid application, and it can be used in the design of controllers and protection system of microgrids.

Keywords: grid-connected mode, islanded mode, microgrid, operation, photovoltaic system

1- Introduction

Increasing energy demand and lack of energy resources are important challenges of the modern power system. The output power of distributed generation sources such as photovoltaic systems depends on environmental conditions, and the power produced by renewable energy sources is variable and intermittent [1,2]. Energy use is very important for economic growth and social development. In today's modern society, sustainable industrial and economic development and reducing the adverse effects of fossil fuel consumption have

increased the need to change from non-renewable energy sources to renewable energy sources [3,4]. Among the problems of centralized power generation systems, we can mention the dependence of power plants on fossil fuels, producing a large amount of electricity in one place and transferring it to remote and rural areas through transmission lines, causing power losses and voltage drops through transmission lines, and lack of provided an economic solution for electricity supply [5,6]. Providing electricity at the lowest cost is the main goal, and it only happens when transmission and distribution losses are

almost zero [7,8]. With the expansion of deployment of distributed generation resources in the power system, energy security and flexibility of power networks have become important [9,10]. The production power from renewable energy sources depends on the environmental conditions, and is usually intermittent and variable, which can be referred to the fluctuations in the production of the photovoltaic system due to changes in solar energy [11,12]. The challenges of meeting the growing needs of electrical energy and trying to reduce the effects of climate change, the importance of microgrids in the integration of renewable ener-

gy sources has increased [13,14]. It is possible to install renewable energy sources by microgrid in the electricity network [15,16]. The integration of renewable energy sources in microgrids usually includes technologies such as photovoltaic modules, small hydro units and wind turbines [17,18]. A microgrid consists of loads, energy storage systems, and distributed generation sources, which can exchange power through a common connection point with the main grid. Based on the availability and reliability of the power grid, the microgrid can work in grid-connected or stand-alone mode [19,20].

Table 1: A number of review studies conducted in different fields of microgrids

Ref.	Subject	The main statement of the study
[21]	Transition between two operating modes	Sudden transition from network connection mode to island mode is the most critical operating mode of microgrid. Sudden changes can lead to malfunction of the control system. Various approaches have been proposed for smooth transition to independent mode, and their advantages and limitations have been reviewed.
[22]	Power sharing	One of the ways to improve the performance of power sharing is to change the output impedance of distributed generation units. Classification of different power sharing strategies based on impedance is classified. The methods of changing the line impedance of distributed generation units are divided into four groups: fixed virtual impedance, adaptive virtual impedance adjustment, impedance loss, and reconfiguration of internal loops.
[23]	Distributed secondary control architecture	Distributed secondary control architectures in inverter-based ac microgrids are reviewed. A hierarchical control approach for distributed generation sources is presented and the control scheme is divided into three hierarchical levels to overcome existing challenges such as power quality and communication in power systems.
[24]	Microgrid centralized controller	The central controller of the microgrid has the most important role to have a satisfactory performance of the microgrid in two functional modes. The centralized controller of the microgrid consists of three control levels, which are: the micro controller of the local source and load, the central controller of the microgrid system, and the distribution management system. An overview of the evolution and progress of technology and the classification of microgrid central controller is provided. The central controller has a role in microgrid protection, stability and power quality, which is also investigated.
[25]	Energy management with renewable energy	Energy management in microgrids is an information and control system that provides the necessary performance for energy supply in production and distribution systems with minimum cost. A review of energy management in microgrid systems using renewable energy has been done. A comparative analysis of optimization objectives, constraints and simulation tools applied to microgrids in two operating modes is presented.
[26]	Operation and control strategies	Strengthening the flexibility of the power system against natural events with low probability and high impact is very important. For this purpose, a lot of research has been done on advanced networked microgrid (NMG) based techniques to achieve a flexible power system. The control features and operational considerations of these networks have been reviewed. An integrated problem-solving approach for both configuration and control aspects of stable and reliable NMGs is also presented.
[27]	Control of AC microgrids based on inverter	With the increasing penetration of distributed generation systems in the grid, the challenge of combining a large number of them into power systems must be addressed and managed. It states the main objectives that must be provided by the microgrid controllers in two operating modes, connected to the network and independent from the network. Also, the advantages and disadvantages of centralized control and decentralized control techniques have been discussed and compared as potential solutions.

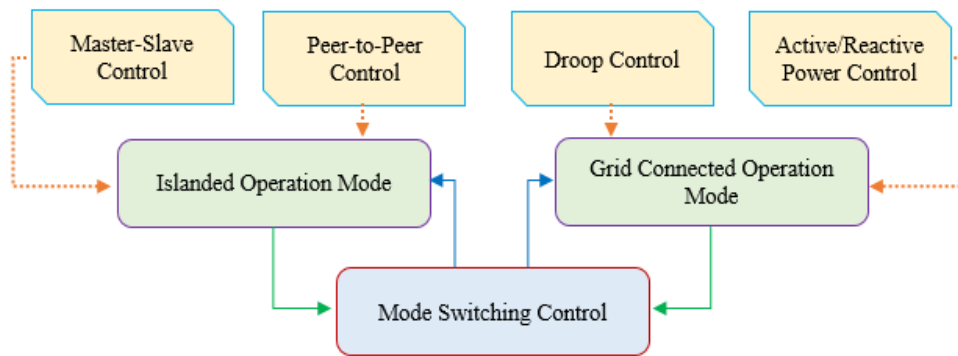


Fig. 1 Microgrid performance modes and control methods

Considering the expansion and practical importance of microgrids, there are still various challenges in their development. Many studies have been done in the field of microgrids. Table (1) contains a number of review articles on various fields of application of microgrids.

In this paper, the aim is to study two modes of microgrid operation and microgrid classification based on different parameters. The structure of the paper is as follows. Classification of microgrids based on different parameters such as power source and control strategy is provided. In the section 2, the operation modes of the microgrid are presented along with the advantages and disadvantages of each operation mode. Finally, the conclusion is stated in the section 3.

2- Microgrid Performance in operating modes

Microgrids are divided based on different criteria such as voltage type, distribution system, structure and operating modes [28,29]. Based on the characteristics of the power injected into the distribution network, microgrids are classified into three groups: dc microgrid, ac microgrid, and hybrid microgrid [30,31]. The choice between direct current and alternating current microgrids depends on their application and the specific goals of the system [32,33]. Hybrid microgrid combines the advantages of dc and ac microgrids because ac and dc buses are connected to each other by means of an electronic power converter [34,35].

A microgrid can work in two functional modes, including independent from the grid and connected to the grid. Microgrid control strategies depend on how it works [36,37]. The purpose of using control methods is to stabilize the performance of the microgrid. When designing a controller, the operating mode of the microgrid plays a vital role [38,39]. Various factors such as network stability or maintenance of a part of the network may cause the need to transition between two operating modes of the microgrid. Fault currents are affected by microgrid operation modes. During the change of the microgrid state from the state connected to the network to the state independent of the network, the error flow paths can be different [40,41]. In this section, a comparison between two functional modes of microgrid is provided.

2-1- Microgrid performance in stand-alone mode

Due to the error on the side of the network or from the economic point of view and to maintain the power quality required for sensitive loads, the microgrid works in partial mode. The islanded microgrid is considered a weak grid, which has less inertia compared to conventional power systems. In this case, there is no connection to the host grid, and the microgrid must meet all the requirements of the connected loads. It is also prone to frequency changes compared to the regular city grid. The capability of the microgrid in independent mode for synchronization is closely related to its physical topology. By

controlling the storage devices, the voltage and frequency can be kept constant at the nominal value [42,43]. The coordinated operation of distributed energy sources and loads is necessary for the reliable operation of an islanded microgrid [44]. There is continuous monitoring in the microgrid by the controller [45,46].

Appropriate power sharing between parallel inverters to supply common load is one of the main challenges in islanded microgrid operation. Unbalanced and nonlinear loading in this mode produces negative sequence components and harmonics in current and voltage, which, in the absence of an external controller, cause power sharing errors and voltage distortion at the output of inverters [47,48]. Setting the frequency and voltage without the help of the external network can be done by inverters in independent microgrids. Active power division is easily guaranteed with the help of frequency control, but reactive power division is difficult due to the mismatch of network impedances and voltage sensor error [49,50].

Control strategies in islanded microgrids are mainly divided into master-follower control and peer-to-peer control [51,52].

Various control strategies in microgrids in grid-independent mode such as hierarchical control [53,54], strategy Decentralized control for optimal frequency [55] and centralized model predictive control method for transient frequency control have been presented so far [56,57].

In general, the advantages of microgrid operation in independent mode are:

- A. Increasing energy flexibility by providing a reliable power source
- B. Facilitating the integration of renewable energy sources
- C. Reducing dependence on fossil fuels

Among the disadvantages of microgrid operation in island mode, the following can be mentioned:

- A. Optimum balance between production and demand

- B. The need for energy storage systems to deal with fluctuations in energy production from renewable sources

- C. The need for an advanced control algorithm to have a stable frequency level and voltage level

2-2- Microgrid performance in grid-connected mode

In the grid-connected mode of operation, energy management is the main role of the controller. A static transfer switch connects the microgrid to the power grid at a common connection point (PCC). In this case, the microgrid is not able to control the frequency and voltage, and to adjust the active and reactive power, it changes to the active-reactive control method (PQ). The frequency and voltage at the common connection point are mainly determined by the main grid, and the role of the microgrid is limited to performing ancillary services. The active and reactive powers produced in the microgrid should be balanced according to the demand of local loads. Each distributed generation unit is a controllable current source that exchanges active and reactive power with the grid using the current state control strategy [58,59].

The stability problem of microgrids in the grid-connected state mainly involves the stability of individual components such as specific distributed energy sources or a set of local loads and their impact on the system [60,61].

In general, the advantages of microgrid operation in network-connected mode are:

- A. Providing a reliable and stable power supply using the infrastructure of the electricity network
- B. Reducing the need for energy storage systems by using the surplus production capacity of the network
- C. Making it possible to integrate renewable energy sources and reduce air pollution
- D. Saving money by providing the possibility of net metering and transfer of excess production to the main network

Among the disadvantages of microgrid operation when connected to the network, the following can be mentioned:

A. Failure to work independently in conditions of interruption or instability of the main network

B. The need for advanced control strategies to have a stable connection

Figure (1) shows the operation modes of the microgrid and the connection between them along with the used controllers. The comparison between two microgrid performance modes based on different parameters is summarized in Table (2) [62,63].

Table 2: Comparison between two functional modes of the microgrid

Parameter	Grid-independent microgrid	Microgrid connected to the grid
Sensitivity to load fluctuations	The inertia of the system is low and the microgrid is very sensitive to load fluctuations.	The microgrid acts mostly as a constant source or load and its sensitivity is relatively low.
Connection to the main network	The microgrid works independently and is not connected to the main network.	The microgrid is connected to the network through a static transfer switch at the common coupling point.
Control complexity	Relatively complex control	Relatively simple control
Purpose of control	Voltage and frequency control	Active and reactive power control
Control method	Voltage-frequency (V/f) control, master-follower control, peer-to-peer control	Active power-reactive power control (P/Q)

3- Conclusion

The progress of control strategies and energy management systems along with the integration of renewable energies has made the role of microgrids important in the future of sustainable and decentralized power generation. In this article, a brief overview of the types of microgrids and their different modes of operation has been

done. Sub-grids improve energy security and network reliability by integrating renewable energy sources. The balance between production and demand is necessary and important due to the high penetration of distributed energy sources. Microgrids can maintain changes in voltage, phase angle and frequency during the period of time when the production of renewable energy sources fluctuates. The two main operating modes of microgrids include grid-connected mode and island mode, each of which has different goals and advantages. In the island mode, the load demand of remote areas is met with lower cost and minimal losses. In the state connected to the network, the microgrid supports the main network with voltage control and frequency control, and makes it provide more flexibility, control and reliability.

References

- [1] Pagard, E., Shojaeian, S., Rezaei, M.M. (2023). Improving power system low-frequency oscillations damping based on multiple-model optimal control strategy using polynomial combination algorithm. *Energy Reports*, 10, 1228-1237.
- [2] Keyvani, B., Fani, B., Shahgholian, G., Hashemi, M. (2023). Analysis and simulation of island mode operation in inverter-based microgrids with voltage droop controllers. *Journal of Simulation and Analysis of Novel Technologies in Mechanical Engineering*, 15(4), 17-26.
- [3] Perez, F. Iovine, A., Damm, G., Galai-Dol, L., Ribeiro, P.F. (2020). Stability analysis of a dc microgrid for a smart railway station integrating renewable sources. *IEEE Trans. on Control Systems Technology*, 28(5), 1802-1816.
- [4] Shahgholian, G., Shafaghi, P., Moalem, S., Mahdavian, M. (2009). Analysis and design of a linear quadratic regulator control for static synchronous compensator. *Proceeding of the IEEE/ICCEE*, Dubai, 1(1), 65-69.
- [5] Issa, W.R., Abusara, M.A., Sharkh, S.M. (2015). Control of transient power during unintentional islanding of microgrids. *IEEE Trans. on Power Electronics*, 30(8), 4573-4584.
- [6] Sharifiyana, O., Dehghani, M., Shahgholian, G., Mirtalaei, S.M.M., Jabbari, M. (2023). Non-isolated boost converter with new active

- snubber structure and energy recovery capability. *Journal of Circuits, Systems and Computers*, 32(5), 2350084.
- [7] Keyvani-Boroujeni, B., Shahgholian, G., Fani, B. (2020). A distributed secondary control approach for inverter-dominated microgrids with application to avoiding bifurcation-triggered instabilities. *IEEE Journal of Emerging and Selected Topics in Power Electronics*, 8(4), 3361-3371.
- [8] Rajesh, K.S., Dash, S.S., Rajagopal, R., Sridhar, R. (2017). A review on control of ac microgrid. *Renewable and Sustainable Energy Reviews*, 71, 814–819.
- [9] Fooladgar, M., Rok-Rok, E., Fani, B. (2015). Evaluation of the trajectory sensitivity analysis of the DFIG control parameters in response to changes in wind speed and the line impedance connection to the grid DFIG. *Journal of Intelligent Procedures in Electrical Technology*, 5(20), 37-54.
- [10] Nadeem, T.B., Siddiqui, M., Khalid, M., Asif, M. (2023). Distributed energy systems: A review of classification, technologies, applications, and policies. *Energy Strategy Reviews*, 48, 101096.
- [11] Shahgholian, G., Etesami, A. (2011). The effect of thyristor controlled series compensator on power system oscillation damping control. *International Review of Electrical Engineering*, 5(2), 1822-1830.
- [12] Mohammadzamani, F., Hashemi, M., Shahgholian, G. (2023). Adaptive control of nonlinear time delay systems in the presence of output constraints and actuator's faults. *International Journal of Control*, 96(3), 541-553.
- [13] Mohammed, A., Refaat, S.S., Bayhan, S., Abu-Rub, H. (2019). AC microgrid control and management strategies: Evaluation and review. *IEEE Power Electronics Magazine*, 6(2), 18-31.
- [14] Shahgholian, G., Rajabi, A., Karimi, B. (2010). Analysis and design of PSS for multi-machine power system based on sliding mode control theory. *International Review of Electrical Engineering*, 4(2), 2241-2250.
- [15] Haghshenas, G., Mirtalaei, S.M.M., Mordmand, H., Shahgholian, G. (2019). High step-up boost-flyback converter with soft switching for photovoltaic applications. *Journal of Circuits, Systems, and Computers*, 28(1), 1-16.
- [16] Kiani, A., Fani, B., Shahgholian, G. (2021). A multi-agent solution to multi-thread protection of DG-dominated distribution networks. *International Journal of Electrical Power and Energy Systems*, 130, 106921.
- [17] Roslan, M.F., Hannan, M.A., Ker, P.J., Mannan, M., Muttaqi, K.M., Mahlia, T.M.I. (2022). Microgrid control methods toward achieving sustainable energy management: A bibliometric analysis for future directions. *Journal of Cleaner Production*, 348, 131340.
- [18] Keyvani-Boroujeni, B., Fani, B., Shahgholian, G., Alhelou, H.H. (2021). Virtual impedance-based droop control scheme to avoid power quality and stability problems in VSI-dominated microgrids. *IEEE Access*, 9, 144999-145011.
- [19] Lam, Q.L., Riu, D., Bratcu, A.I., Labonne, A., Boudinet, C. (2023). Power hardware-in-the-loop validation of primary frequency robust control in stand-alone microgrids with storage units. *Electrical Engineering*, vol. 105, pp. 317–333.
- [20] Lee, H., Kang, J.W., Choi, B.Y., Kang, K.M., Kim, M.N., An, C.G., Yi, J., Won, C.Y. (2021). Energy management system of dc microgrid in grid-connected and stand-alone modes: Control, operation and experimental validation. *Energies*, 14(3), 581.
- [21] Hmad, J., Houari, A., Bouzid, A.E.M., Saim, A., Trabelsi, H. (2023). A review on mode transition strategies between grid-connected and standalone operation of voltage source inverters-based microgrids. *Energies*, 16, 5062.
- [22] Deng, F., Yao, W., Zhang, X., Tang, Y., Mattavelli, P. (2023). Review of impedance-reshaping-based power sharing strategies in islanded ac microgrids. *IEEE Trans. on Smart Grid*, 14(3), 1692-1707.
- [23] Rodriguez-Martinez, O.F., Andrade, F., Vega-Penagos, C.A., Luna, A.C. (2023). A review of distributed secondary control architectures in islanded-inverter-based microgrids. *Energies*, 16(2), 878.
- [24] Kaur, A., Kaushal, J., Basak, P. (2016). A review on microgrid central controller. *Renewable and Sustainable Energy Reviews*, 55, 338-345.
- [25] Dixit, S., Singh, P., Ogale, J., Bansal, P., Sawle, Y. (2023). Energy management in microgrids with renewable energy sources and demand response. *Computers and Electrical Engineering*, 110, 108848.
- [26] Bordbari, M.J., Nasiri, F. (2024). *Networked microgrids: A review on configuration, operation, and control strategies*. *Energies*, 17(3), 715.
- [27] Issa, W., Sharkh, S., Abusara, M. (2024). A review of recent control techniques of drooped inverter-based ac microgrids. *Energy Science and Engineering*, 12(4), 1792-1814.

- [28] Mousa, H.H.H., Ali, A., Shaaban, M.F., Ismeil, M.A. (2023). Optimal allocation of multiple capacitors in a hybrid AC/DC microgrid for power quality improvement. *SN Applied Sciences*, 5, 362.
- [29] Shahgholian, G., Moazzami, M., Dehghani, M. (2025). A brief review of the application and control strategies of alternating current microgrids in the power system. *Technovations of Electrical Engineering in Green Energy System*, 4(2), 17-34.
- [30] Planas, E., Andreu, J., Gárate, J.I., Alegría, I.M., Ibarra, E. (2015). Ac and dc technology in microgrids: A review. *Renewable and Sustainable Energy Reviews*, 43, 726-749.
- [31] Aghmadi, A., Hussein, H., Polara, K.H., Mohammed, O.A. (2023). Comprehensive review of architecture, communication, and cybersecurity in networked microgrid systems. *Inventions*, 8(4), 84.
- [32] Mirsaedi, S., Dong, X., Shi, S., Wang, B. (2017). Ac and dc microgrids: A review on protection issues and approaches. *Journal of Electrical Engineering and Technology*, 12(6), 2089-2098.
- [33] Eghtedarpour, N., Farjah, E. (2014). Power control and management in a hybrid ac/dc microgrid. *IEEE Trans. on Smart Grid*, 5(3), 1494-1505.
- [34] Aprilia, E., Meng, K., Hosani, M.A., Zeineldin, H.H., Dong, Z.Y. (2019). Unified power flow algorithm for standalone ac/dc hybrid microgrids. *IEEE Trans. on Smart Grid*, 10(1), 639-649.
- [35] Lou, J., Cao, H., Meng, X., Wang, Y., Wang, J., Chen, L., Sun, L., Wang, M. (2024). Power load analysis and configuration optimization of solar thermal-PV hybrid microgrid based on building. *Energy*, 289, 129963.
- [36] Jha, S.K., Kumar, D., Lehtonen, M. (2021). Modified V-I droop based adaptive vector control scheme for demand side management in a stand-alone microgrid. *International Journal of Electrical Power and Energy Systems*, 130, 106950.
- [37] Agrawal, R., Changan, D.D., Bodhe, A. (2020). Small signal stability analysis of stand-alone microgrid with composite load. *Journal of Electrical Systems and Information Technology*, 7, 12.
- [38] Mahmoud, M.S., Hussain, S.A., Abido, M.A. (2014). Modeling and control of microgrid: An overview. *Journal of the Franklin Institute*, 351(5), 2822-2859.
- [39] Bisheh, H., Fani, B., Shahgholian, G., Sadeghkhani, I., Guerrero, J.M. (2023). An adaptive fuse-saving protection scheme for active distribution networks. *International Journal of Electrical Power and Energy Systems*, 144, 108625.
- [40] Beheshtaein, S., Savaghebi, M., Vasquez, J.C., Guerrero, J.M. (2015). Protection of ac and dc microgrids: Challenges, solutions and future trends. *Proceeding of the IEEE/IECON*, Yokohama, Japan, 5253-5260.
- [41] Fayazi, H., Fani, B., Moazzami, M. (2021). An offline three-level protection coordination scheme for distribution systems considering transient stability of synchronous distributed generation. *International Journal of Electrical Power and Energy Systems*, 131, 107069.
- [42] Yu, C., Xiao, W. (2024). Synchronizability and synchronization rate of ac microgrids: A topological perspective. *IEEE Trans. on Network Science and Engineering*, 11(2), 1424-1441.
- [43] Marei, M.I., Soliman, M.H. (2013). A coordinated voltage and frequency control of inverter based distributed generation and distributed energy storage system for autonomous microgrids. *Electric Power Components and Systems*, 41(4), 383-400.
- [44] Díaz, N.L., Luna, A.C., Vasquez, J.C., Guerrero, J.M. (2017). Centralized control architecture for coordination of distributed renewable generation and energy storage in islanded ac microgrids. *IEEE Trans. on Power Electronics*, 32(7), 5202-5213.
- [45] Han, H., Hou, X., Yang, J., Wu, J., Su, M., Guerrero, J.M. (2016). Review of power sharing control strategies for islanding operation of ac microgrids. *IEEE Trans. on Smart Grid*, 7(1), 200-215.
- [46] Qi, Y., Fang, J., Tang, Y. (2020). Utilizing the dead-time effect to achieve decentralized reactive power sharing in islanded ac microgrids. *IEEE Journal of Emerging and Selected Topics in Power Electronics*, 8(3), 2350-2361.
- [47] Nandi, R., Tripathy, M., Gupta, C.P. (2024). Multi-objective optimization based voltage injection technique for minimizing imbalance and harmonics in ac microgrid. *IEEE Trans. on Sustainable Energy*, 15(2), 1269-1287.
- [48] Shahgholian, G. (2024). A brief review on the application of the virtual impedance method in islanded alternating current microgrids to control reactive power sharing. *Hydrogen, Fuel Cell and Energy Storage*, 11(3), 189-204.
- [49] Acharya, S., Kumar, D.V. (2024). Frequency stabilization and synchronization between grid and ac microgrid. *Electric Power Systems Research*, 228, 110045.
- [50] Chen, Z., Chen, Y., Guerrero, J.M., Kuang, H., Huang, Y., Zhou, L., Luo, A. (2016).

- Generalized coupling resonance modeling, analysis, and active damping of multi-parallel inverters in microgrid operating in grid-connected mode. *Journal of Modern Power Systems and Clean Energy*, 4(1), 63-75.
- [51] Huang, W., Lua, M., Zhang, L. (2011). Survey on microgrid control strategies. *Procedia Energy*, 12, 206-212.
- [52] Chen, Y., Li, J., Wen, Y., Sehnan, M., Xu, W. (2023). A hybrid master-slave control strategy for multiple distributed generators in microgrid. *Energies*, 16(2), 968.
- [53] Wang, J., Chang, N.C.P., Feng, X., Monti, A. (2015). Design of a generalized control algorithm for parallel inverters for smooth microgrid transition operation. *IEEE Trans. on Industrial Electronics*, 62(8), 4900-4914.
- [54] Li, Z., Zang, C., Zeng, P., Yu, H., Li, S. (2018). Fully distributed hierarchical control of parallel grid-supporting inverters in islanded ac microgrids. *IEEE Trans. on Industrial Informatics*, 14(2), 679-690.
- [55] Khayat, Y., Naderi, M., Shafiee, Q., Batmani, Y., Fathi, M., Guerrero, J.M., Bevrani, H. (2019). Decentralized optimal frequency control in autonomous microgrids. *IEEE Trans. on Power Systems*, 34(3), 2345-2353.
- [56] Heins, T., Joševski, M., Gurusurthy, S.K., Monti, A. (2023). Centralized model predictive control for transient frequency control in islanded inverter-based microgrids. *IEEE Trans. on Power Systems*, 38(3), 2641-2652.
- [57] Xiao, J., Wang, L., Qin, Z., Bauer, P. (2024). A resilience enhanced secondary control for ac micro-grids. *IEEE Trans. on Smart Grid*, 15(1), 810-820.
- [58] Lam, Q.L., Bratcu, A.I., Riu, D., Boudinet, C., Labonne, A., Thomas, M. (2020). Primary frequency H_∞ control in stand-alone microgrids with storage units: A robustness analysis confirmed by real-time experiments. *International Journal of Electrical Power and Energy Systems*, 115, 105507.
- [59] Shahgholian, G. (2023). A brief overview of microgrid performance improvements using distributed FACTS devices. *Journal of Renewable Energy and Environment*, 10(1), 43-58.
- [60] Farrokhhabadi, M., Cañizares, C.A., Simpson-Porco, J.W., Nasr, E., Fan, L., Mendoza-Araya, P.A., Tonkoski, R., Tamrakar, U., Hatziar-gyriou, N., Lagos, D., Wies, R.W., Paolone, M., Liserre, M., Meegahapola, L., Kabalan, M., Hajimiragha, A.H., Peralta, D., Elizondo, M.A., Schneider, K.P., Tuffner, F.K. (2020). Microgrid stability definitions, analysis, and examples. *IEEE Trans. on Power Systems*, 35(1), 13-29.
- [61] Shahgholian, G., Mozaami, M., Honarvar, M.A. (2024). Small signal stability analysis of dynamic behavior of gas turbine power plant with secondary control loop in electric power system. *Journal of Simulation and Analysis of Novel Technologies in Mechanical Engineering*, 16(1), 23-35.
- [62] Singh, P., Paliwal, P., Arya, A. (2019). A review on challenges and techniques for secondary control of microgrid. *IOP Conference Series*, 561, 012075.
- [63] Shahgholian, G. (2024). A brief review of the performance and control of direct current microgrids in power systems. *Energy Engineering and Management*, 14(1), 2-29.